



**PMM155**

Portable Hand Plate bevelling and radiusing machine for straight and shaped plate

**RANGE: Thickness 1.5mm upwards / Bevel Angle: from 20° to 65°**  
**Max Bevel Width: 16mm / Max Radius: 5mm**

- **Materials:** Any kind of Steel, Aluminium, Brass or Plastics
- **Power:** 110 / 220v or Pneumatic

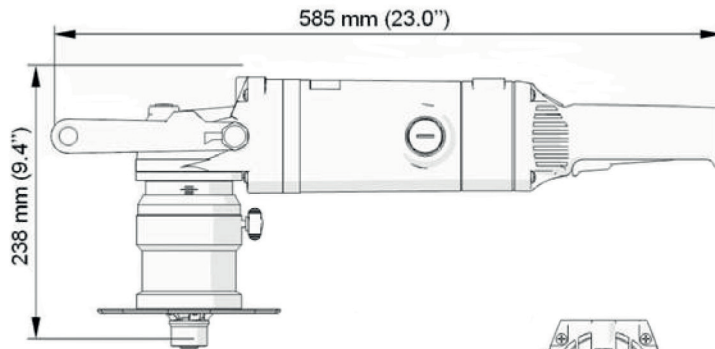
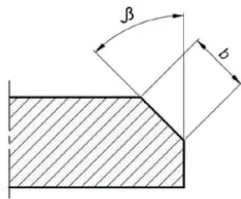
Note: For the deburring of outer and inner outlines, bevelling, milling of radii and bore holes as from 20mm  $\varnothing$ .

Especially developed to produce clean visible edges and to prepare welds.

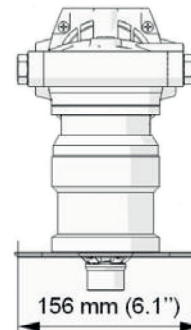
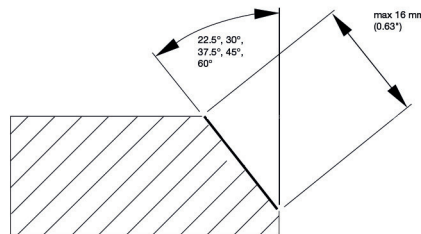
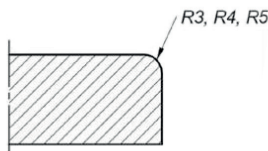
- Tool-less adjustment of bevel height.
- Handy and powerful.
- For construction steels, stainless steels, aluminium and other materials.
- Multiple indexable insert holder 45° (optional 30°).
- Also for radii R = 2.5



Bevel Milling Head



Radius Milling Head



**TECHNICAL SPECIFICATION**

Power Supply	230v / 110v 50 - 60 Hz
Motor	2200W
Motor speed	1800 - 5850 rpm
Minimal diameter of countersinking	40 mm
Bevelling with radius	R3, R4, R5
Maximal bevel width	@ 45° (b) 16 mm
Feed	0,5 - 10 m/min (Manual)
Bevelling angles	20°, 22.5°, 30°, 37.5°, 45°, 50°, 55° 60° and 65° (other angles upon request)
Plate thickness	minimum 1.5 mm
Dimensions	585 x 156 x 238 mm
Weight	10kg



[www.TAG-PIPE.COM](http://www.TAG-PIPE.COM)

Copyright © 2017 TAG PIPE EQUIPMENT SPECIALISTS LTD. All rights reserved.

Tel: +44 (0)1869 324 144  
 E-mail: [sales@tag-pipe.com](mailto:sales@tag-pipe.com)