

RANGE: Thickness 6 to 60mm / Bevel Angle: from 0° to 60° / Max Bevel Width 21mm

- **Materials:** Any kind of Stainless Steel. Will prep all other Steels also.
- **Power:** Electric 110 or 220v

Note: The PMM200SS Is designed to work on Stainless Steel with its new Powerful slow speed motor, The PMM200SS also has guide Plate with guide rolls made of Stainless Steel, The PMM200SS Is easy to use, portable, heavy duty machine designed for bevelling steel/ Stainless Steel plates prior to welding.

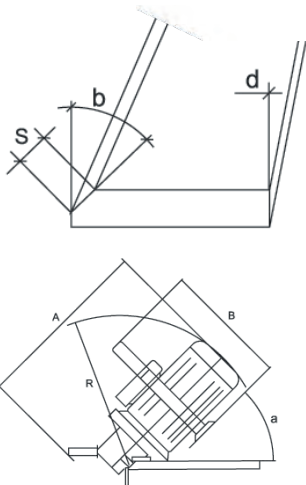
This bevelling machine features a new single milling head equipped with 10 square, indexable inserts makes machining process far more efficient and much less operator fatiguing smooth operation and exceptional efficiency.

Capable of bevelling around 1.5 meters/minute (depending on the amount of the metal being removed).

The PMM200SS incorporates many safety features. It has a state of the art electronic control module protecting the operator, machine and tools. It is equipped with guide rolls, which make it easy and light to operate. Vibration insulation protects both the operator and electronics against vibration



PMM200SS



Pipe bevelling possible with no accessories up to 12". An optional attachment for bevelling up to 24" pipe is also available



Mono block milling head, with 10 indexable inserts fixed with screws.



Continuous angle adjustment from 0 to 60 degrees.



Plate facing-off

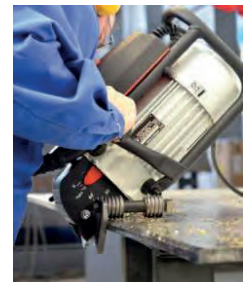


Plate bevelling

A mm (")	B mm (")	R mm (")	S mm (")	Dmin mm (")	a (°)	b (°)	g (°)	d = 0°	weight kg (lbs)
420 16 9/16	330 13	305 12	0-20 0-3/4	150 6	45-75	15-60	75-30	yes	20.0 43

TECHNICAL SPECIFICATION	
Power Supply	1,1 KW, 110v or 230v
Motor	Inductive with increased start-up current
Motor speed	2.820 rpm
Tooling	Integral milling head with 10 square inserts
Standard angles range	0°-60°
Optional functions	Plate facing
Plate Thickness	minimum 6 mm
Dimensions	480 x 420 x 360 mm
Weight	20 kg