



PMM155

Portable Hand Plate Beveling and Radiusing Machine for Straight and Shaped Plate

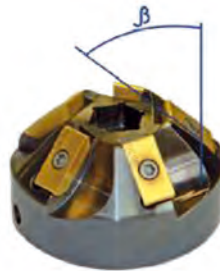
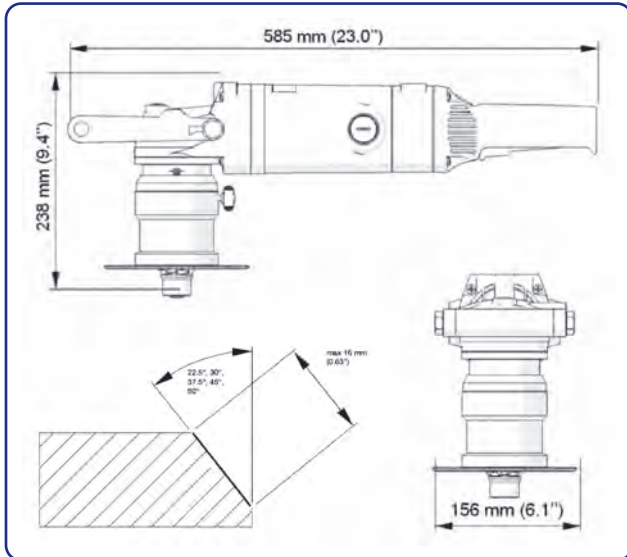
**RANGE: Thickness 1.5mm upwards / Bevel Angle: from 22.5° to 60°
Max Bevel Width: 16mm / Max Radius: 5mm**

- **Materials:** Any kind of steel, aluminium, brass or plastics
- **Power:** 110 or 220v or pneumatic

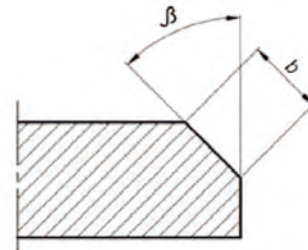
For the deburring of outer and inner outlines, beveling, milling of radii and bore holes as from 20mm \varnothing .

Especially developed to produce clean visible edges and to prepare welds.

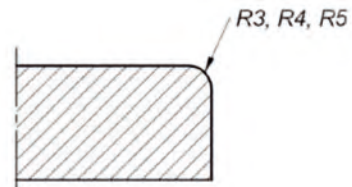
- Tool-less adjustment of bevel height
- Handy and powerful
- For construction steels, stainless steels, aluminium and other materials
- Multiple indexable insert holder 45° (optional 30°)
- Also for radii R = 2.5



Bevel milling head



Radius milling head



TECHNICAL SPECIFICATION	
Power Supply	230v / 110v 50 - 60 Hz
Motor	2200W
Motor speed	1800 - 5850rpm
Minimal diameter of countersinking	40mm
Beveling with radius	R3, R4, R5
Maximal bevel width	@ 45° (b) 16mm
Feed	0,5 - 10 m/min (manual)
Beveling angles	22.5°, 30°, 37.5°, 45°, 50°, 55° and 60°
Plate thickness	Minimum 1.5mm
Dimensions	585 x 156 x 238mm
Weight	10kg / 22lbs



SPECIALIZED FABRICATION EQUIPMENT GROUP

Global Locations:



United States:

SFE HOUSTON

SPECIALIZED FABRICATION EQUIPMENT GROUP

4433 South Dr, Houston,
Texas 77053, USA

Tel: +1 713 747 8502

E-mail: sales@sfe-brands.com

SFE TULSA

SPECIALIZED FABRICATION EQUIPMENT GROUP

7136 South Yale Ave, Tulsa,
Oklahoma 74136, USA

Tel: +1 713 747 8502

E-mail: sales@sfe-brands.com

International:

SFE UNITED KINGDOM

SPECIALIZED FABRICATION EQUIPMENT GROUP

Unit 15 & 16 Grendon Industrial Estate,
Grendon Underwood, Aylesbury,
Buckinghamshire, HP18 0QX England

Tel: +44 (0)1869 324 144

E-mail: sales-int@sfe-brands.com

SFE BELGIUM

SPECIALIZED FABRICATION EQUIPMENT GROUP

Mosten 13, 9160 Lokeren
Belgium

Tel: +44 (0)7741 551536

E-mail: sales-belgium@sfe-brands.com

SFE FRANCE

SPECIALIZED FABRICATION EQUIPMENT GROUP

Acces bureau, 34 Rue du Docteur Abel,
26000 VALENCE, France

Tel: +44 (0)7741 872489

E-mail: sales-france@sfe-brands.com

SFE GERMANY

SPECIALIZED FABRICATION EQUIPMENT GROUP

Am Güterbahnhof 1, 77694 Kehl am Rhein,
Germany

Tel: +49 (0)7851 9553507

Mob: +44 (0)7741 872489

E-mail: sales-germany@sfe-brands.com

SFE MIDDLE EAST

SPECIALIZED FABRICATION EQUIPMENT GROUP

Al Ittihad Street, P.O. Box 3763
Dubai, United Arab Emirates

Tel: +971 (0)50 217 1376

E-mail: sales-me@sfe-brands.com

SFE INDIA

SPECIALIZED FABRICATION EQUIPMENT GROUP

Plot No. PAP 3, D 3 Block,
Chinchwad, Pune 411 019

Mob: +91 90 1102 4332

Mob: +91 95 5258 4361

E-mail: sales-india@sfe-brands.com

SFE ASIA

SPECIALIZED FABRICATION EQUIPMENT GROUP

Emerald Block A, No.2, Road N4, Son Ky Ward,
Tan Phu District, Ho Chi Minh, Vietnam.

Tel: 0919.517.01

E-mail: sales-asia@sfe-brands.com

Copyright © 2021 Specialized Fabrication Equipment Group, All rights reserved.

OUR BRANDS



PIPE EQUIPMENT SPECIALISTS

