



PIPE EQUIPMENT SPECIALISTS

PREP 8 PIPE BEVELLING 2" to 8"



SCAN QR CODE
TO WATCH VIDEO





PREP 8

Portable Pipe Beveling Machine

RANGE: 50 - 211mm i/d / 2 - 8" i/d

- **Functions:** External beveling / internal beveling / elbow and fittings beveling / facing / counter-boring / weld removal / J-prepping / compound bevels
- **Materials:** Any kind of steel and exotic alloy
- **Power:** Pneumatic or electric (110v or 220v)

One of our most powerful and popular i/d locking, in-line feed end prep machines. This is mainly due to its impressive 2 - 8" working range and unrivalled power. The PREP 8 is a portable, one man operation machine, its power to weight ratio, and offset 4-jaw tool holder (chuck) allows use of up to 4 insert or form tools to enables simultaneous external, internal beveling of even the heaviest wall pipe. The PREP 8 is a real workhorse. It's size, power, and functionality, make it extremely popular in high volume heavy duty beveling applications, on site, or in the workshop.



FEATURES AND ADVANTAGES

The PREP 8 is torque reactive. This means that the pipe or tube does not have to be fixed to be bevelled, making it particularly useful on-site, in maintenance and repair situations. This is due to the design and strength of the thru shaft system that locks to the bore of the pipe.

The jaw system itself consists of 3 equilateral positioned machined jaw segments, retained and locked on an inner, 'grooved' expansion shaft.

These grooves keep the jaws held securely in position, unlike other systems that use a metal or rubber bands for jaw retention.

As the expansion nut is tightened, the jaws expand, locking tightly, and square to the bore of the pipe.



POWER OPTIONS:

PNEUMATIC



PART NO. TP8P

ELECTRIC



PART NO. TP8E110 / TP8E220



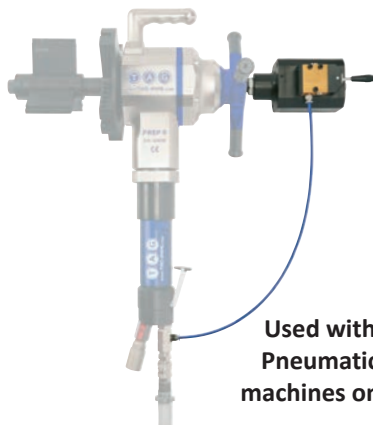
ACCESSORIES AND OPTIONS:

ELBOW / FITTINGS SHAFT



PART NO. TP8ESK

AUTO LOCK



Used with
Pneumatic
machines only

PART NO. TP8ALD

RATCHET HANDLES



PART NO. TP8RHK

FILTER LUBRICATOR



PART NO. AFL1

PREP 8 TECHNICAL FEATURES

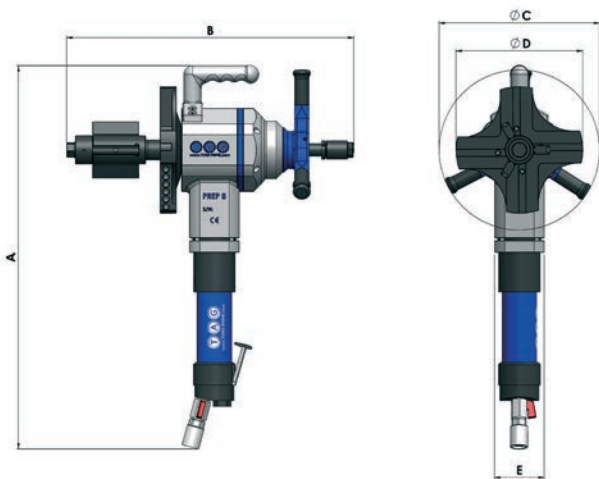
DESCRIPTION	MEASUREMENT	PNEUMATIC	ELECTRIC
Part Number	n/a	TP8P	TP8E110 / TP8E220
Locking tube range	mm (i/d)	50 - 211	50 - 211
Locking tube range	inch (i/d)	2 - 8"	2 - 8"
Idle speed	rpm	5 - 52	5 - 34
Torque	N m	265	280
Length of axial feed	mm	40	40
Max operating temperature	°C	55	55
Max acoustic radiation	dB	75	75
Pneumatic motor power	hp	1.85	n/a
Air consumption	cfm / l/min.	50 / 1400	n/a
Air working pressure	psi / bar	90 / 6.5	n/a
Air hose connection	inches	¾"	n/a
Electric motor power	watt	n/a	1900
Voltage	volt	n/a	110 or 220
Frequency	Hz	n/a	50 / 60
Unit weight	kg / lbs	25 / 55	26 / 57
Packing dimensions	mm	830 x 780 x 250	830 x 610 x 250
Packing weight	kg / lbs	55 / 121	54 / 119

Our group policy is one of continuous improvement. Products and data tables are subject to change or vary from those illustrated.

- All units are supplied complete with all gripping segments to cover the full range of the machine. Service tools, drawings, instruction manual and warranty certificate are also supplied as standard.
- Each machine is supplied with a protective custom built metal box.
- Pneumatic machine must be used with filter lubricator and oil - use without will void warranty.



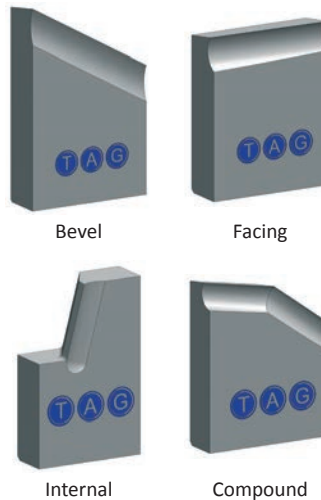
DIMENSIONS



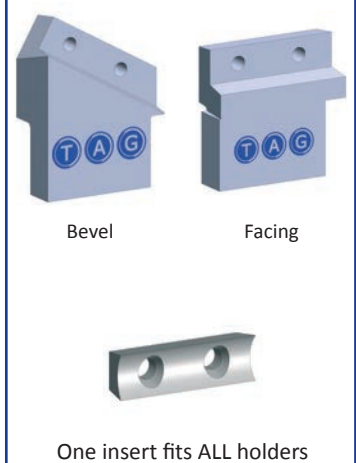
DIM	PNEUMATIC	ELECTRIC
A	670mm	700mm
B	520mm	520mm
∅C	278mm	278mm
∅D	220mm	220mm
E	86mm	90mm

EXAMPLES OF COMMON CUTTING TOOLS

FORMED TOOLS



HOLDER / INSERT



All shapes, sizes and angles available



SPECIALIZED FABRICATION EQUIPMENT GROUP

Global Locations:



United States:

SFE HOUSTON

SPECIALIZED FABRICATION EQUIPMENT GROUP

4433 South Dr, Houston,
Texas 77053, USA

Tel: +1 713 747 8502

E-mail: sales@sfe-brands.com

SFE TULSA

SPECIALIZED FABRICATION EQUIPMENT GROUP

7136 South Yale Ave, Tulsa,
Oklahoma 74136, USA

Tel: +1 713 747 8502

E-mail: sales@sfe-brands.com

International:

SFE UNITED KINGDOM

SPECIALIZED FABRICATION EQUIPMENT GROUP

Unit 15 & 16 Grendon Industrial Estate,
Grendon Underwood, Aylesbury,
Buckinghamshire, HP18 0QX England

Tel: +44 (0)1869 324 144

E-mail: sales-int@sfe-brands.com

SFE BELGIUM

SPECIALIZED FABRICATION EQUIPMENT GROUP

Mosten 13, 9160 Lokeren
Belgium

Tel: +44 (0)7741 551536

E-mail: sales-belgium@sfe-brands.com

SFE FRANCE

SPECIALIZED FABRICATION EQUIPMENT GROUP

Acces bureau, 34 Rue du Docteur Abel,
26000 VALENCE, France

Tel: +44 (0)7741 872489

E-mail: sales-france@sfe-brands.com

SFE GERMANY

SPECIALIZED FABRICATION EQUIPMENT GROUP

Am Güterbahnhof 1, 77694 Kehl am Rhein,
Germany

Tel: +49 (0)7851 9553507

Mob: +44 (0)7741 872489

E-mail: sales-germany@sfe-brands.com

SFE MIDDLE EAST

SPECIALIZED FABRICATION EQUIPMENT GROUP

Al Ittihad Street, P.O. Box 3763
Dubai, United Arab Emirates

Tel: +971 (0)50 217 1376

E-mail: sales-me@sfe-brands.com

SFE INDIA

SPECIALIZED FABRICATION EQUIPMENT GROUP

Plot No. PAP 3, D 3 Block,
Chinchwad, Pune 411 019

Mob: +91 90 1102 4332

Mob: +91 95 5258 4361

E-mail: sales-india@sfe-brands.com

SFE ASIA

SPECIALIZED FABRICATION EQUIPMENT GROUP

Emerald Block A, No.2, Road N4, Son Ky Ward,
Tan Phu District, Ho Chi Minh, Vietnam.

Tel: 0919.517.01

E-mail: sales-asia@sfe-brands.com

Copyright © 2021 Specialized Fabrication Equipment Group, All rights reserved.

OUR BRANDS



PIPE EQUIPMENT SPECIALISTS

